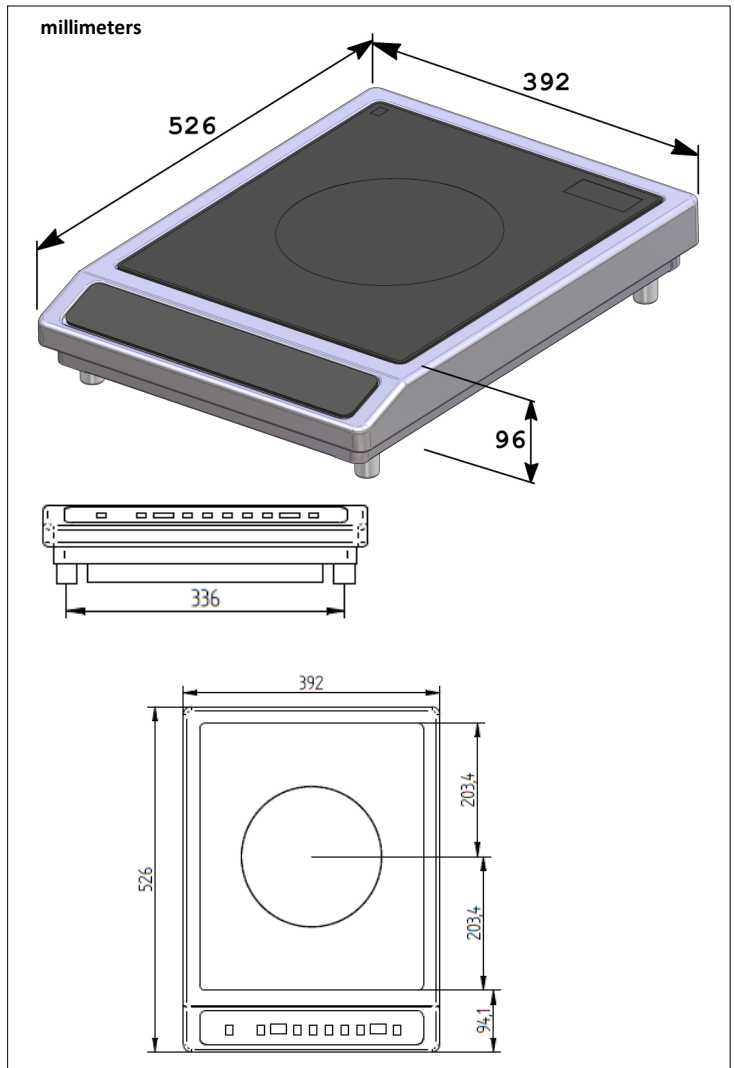


TECHNICAL FEATURES

External structure	AISI 304 stainless steel
Dimensions	526 x 392 x 96
Power	3600W
Cooking surface	Vitroceramic glass.
Control panel	Capacitive touches control panel
Amp	16 A.
Functions	<p>On/Off, manual power (watts or power level) and temperature (°C or F°) setting (+/-) with 4 digits display, 2 pre-sets and 99 minutes timer control with 2 digits display.</p> <p>Temperature display from 30 to 140° C (250°C on 2023 version).</p> <p>Pastry application: settings of the temperature to the nearest degree.</p> <p>Quality pan control function</p> <p>Lockable panel control.</p>
Power supply	230 V; 208/240 V ; AC 50 - 60 Hz
Weight	7,5kg / 16,5 lbs.
Standards	Complies with European standards for safety of electrical appliances.
Details & Options	Including a 1m60 (9 ft 3 inches) power cord and a filter (wash regularly)



ADVENTYS
Route de Pagny - 21250 Seurre - France
www.adventys.com
sales@adventys.com
T: +33 3 80 20 46 15

Important note

Adventys reserves the right to modify specifications without notice.

